

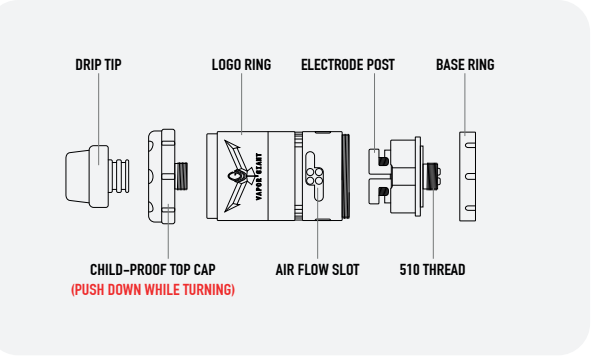


Kronos 2

User Manual



A1: PRODUCT EXPLOSIVE VIEW



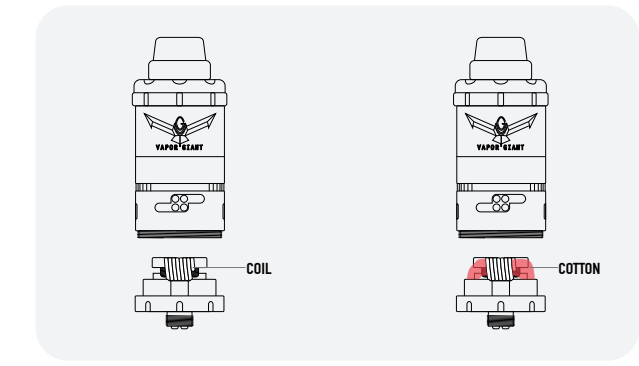
A1

B1-2: STEPS FOR COILS AND WICKS

C1-5: STEPS FOR FILLING LIQUID

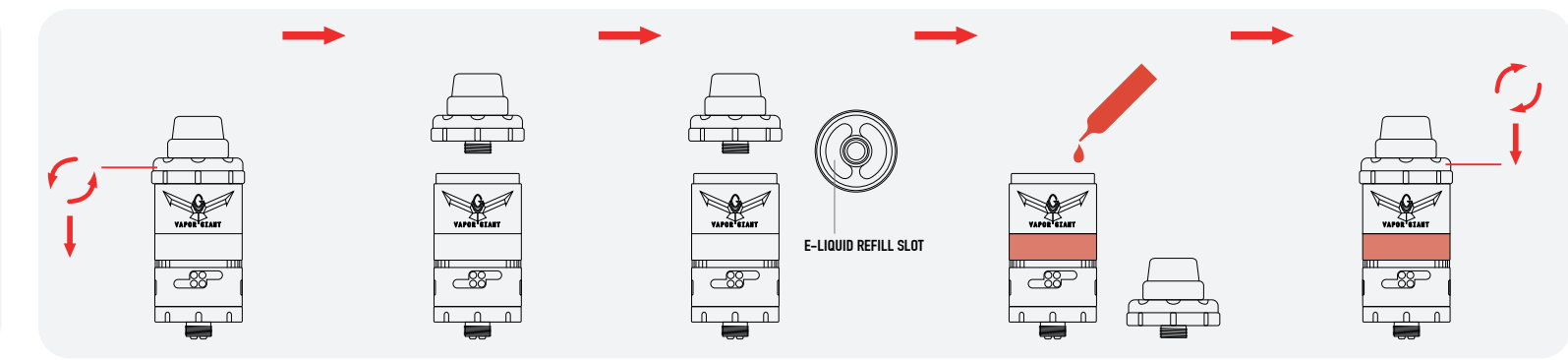
D1-6: STEPS FOR REPLACING SPRING

E1-10: STEPS FOR REPLACING PC TANK



B1

B2



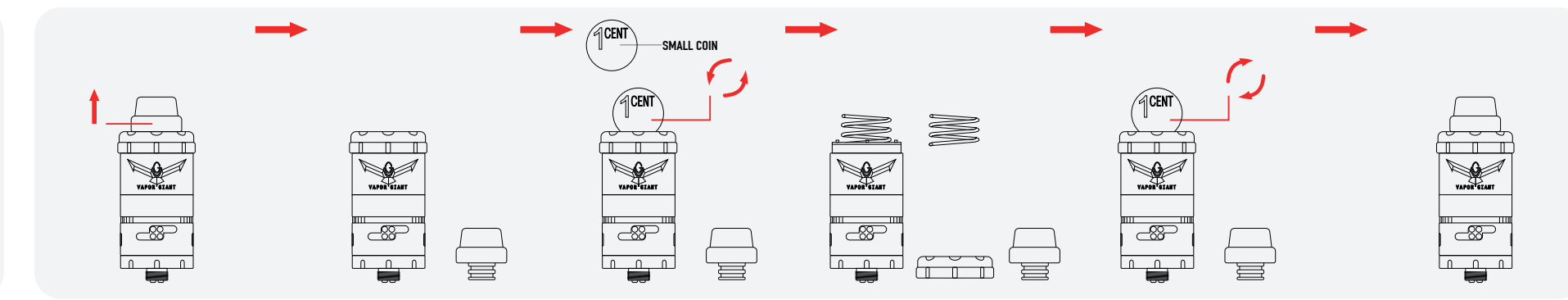
C1

C2

C3

C4

C5



D1

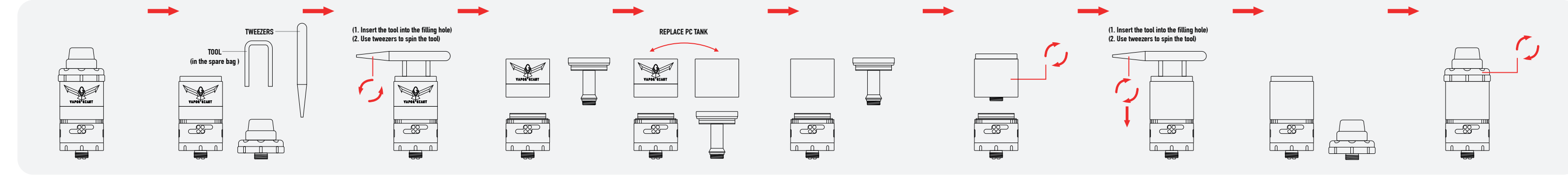
D2

D3

D4

D5

D6



E1

E2

E3

E4

E5

E6

E7

E8

E9

E10