

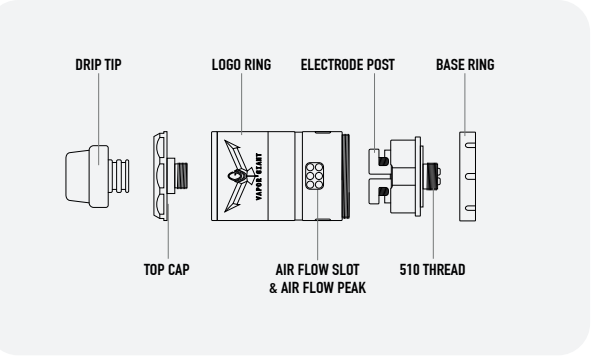


# Kronos 2 2021 Edition

User Manual



### A1: PRODUCT EXPLOSIVE VIEW



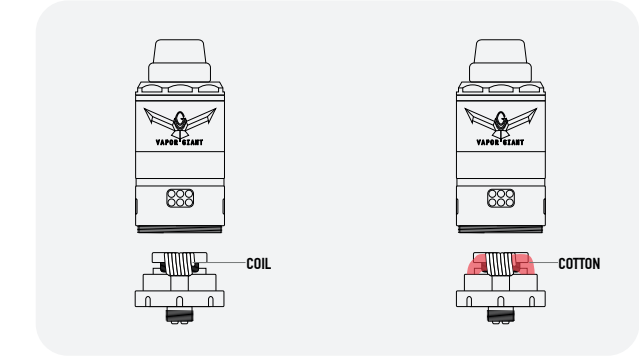
A1

### B1-2: STEPS FOR COILS AND WICKS

### C1-5: STEPS FOR FILLING LIQUID

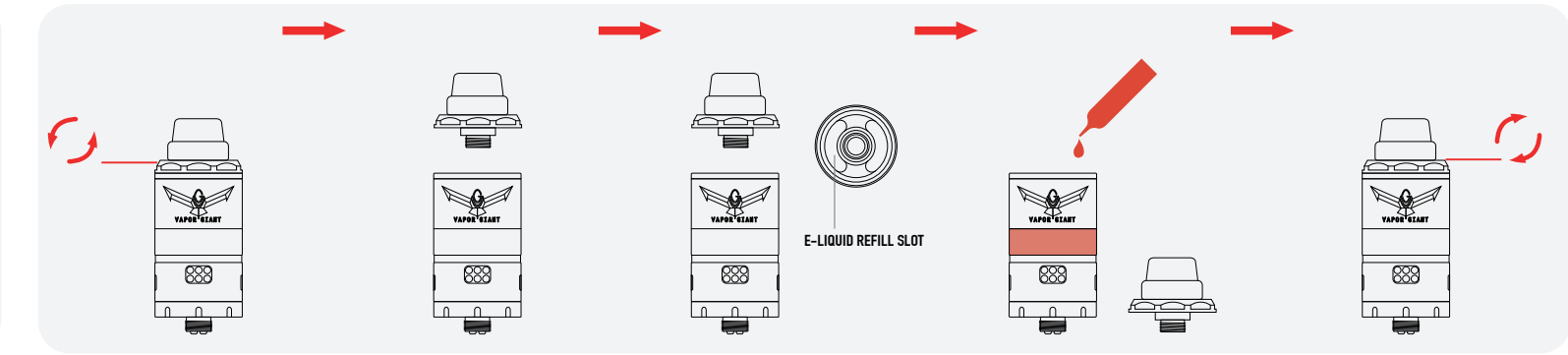
### D1-6: STEPS FOR REPLACING AIRFLOW PEAK

### E1-10: STEPS FOR REPLACING PC TANK



B1

B2



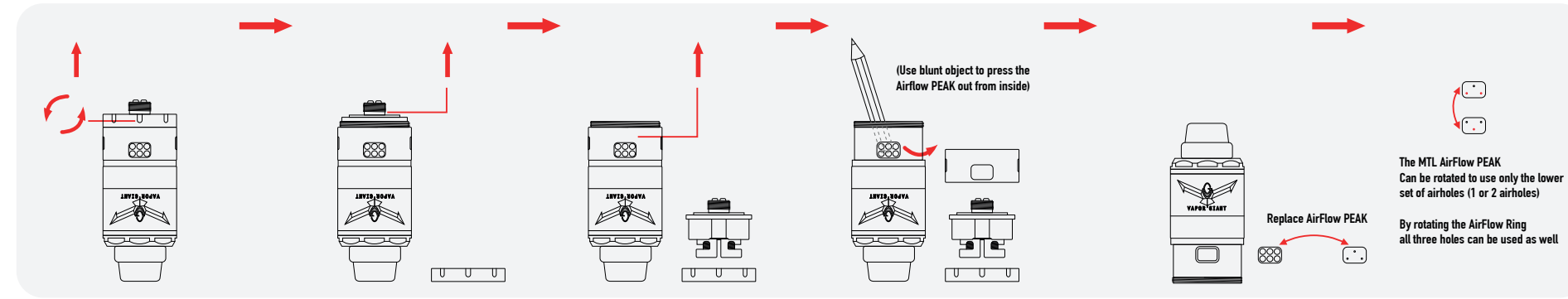
C1

C2

C3

C4

C5



D1

D2

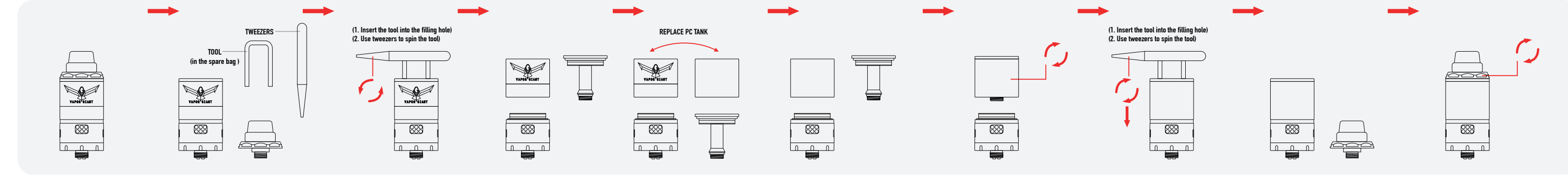
D3

D4

D5

D6

The MTL AirFlow PEAK  
Can be rotated to use only the lower  
set of airholes (1 or 2 airholes)  
By rotating the AirFlow Ring  
all three holes can be used as well



E1

E2

E3

E4

E5

E6

E7

E8

E9

E10